

575 XP

570

575 XP EPA

570 EPA

Spare parts

Ersatzteile

Pièces détachées

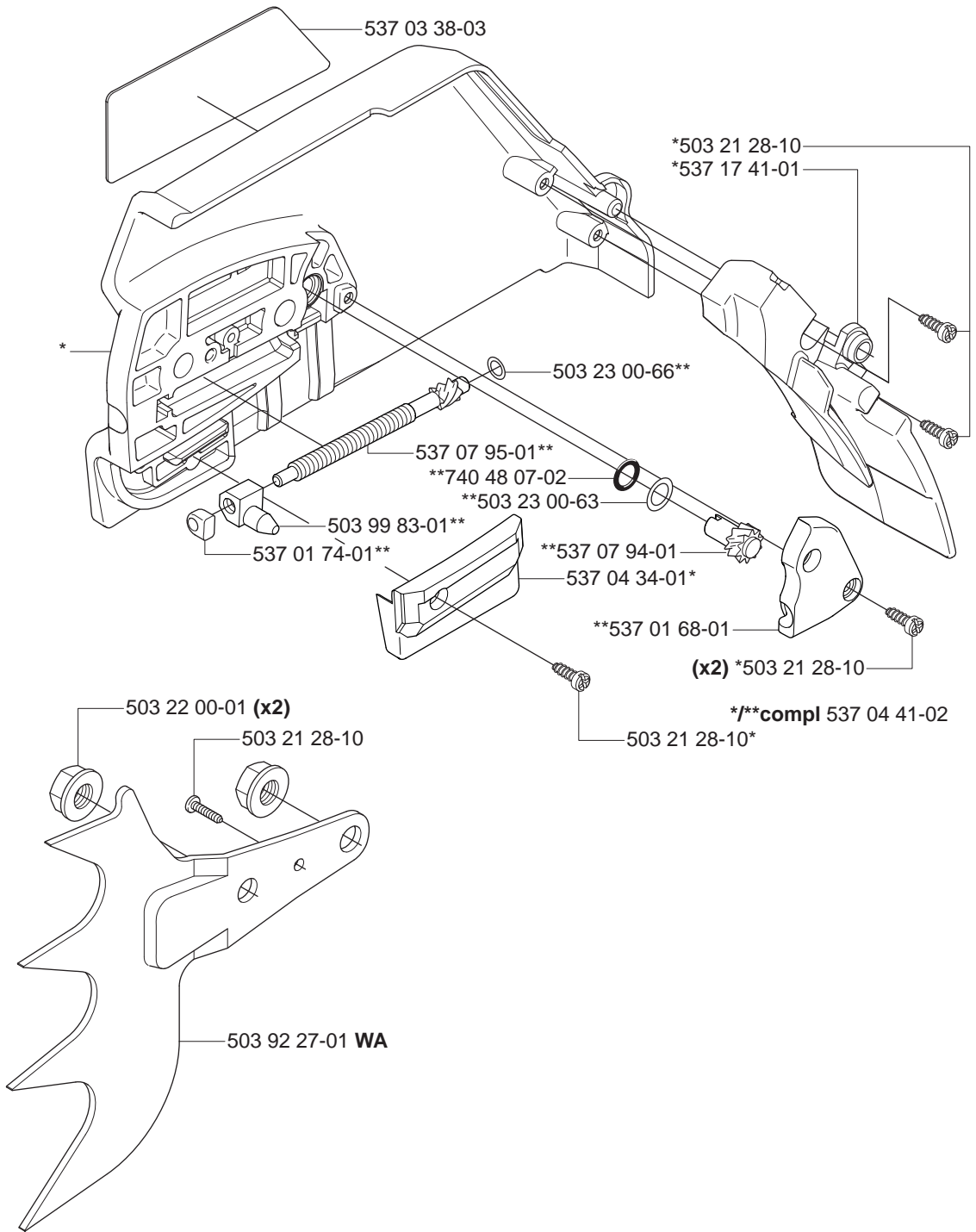
Reserve onderdelen

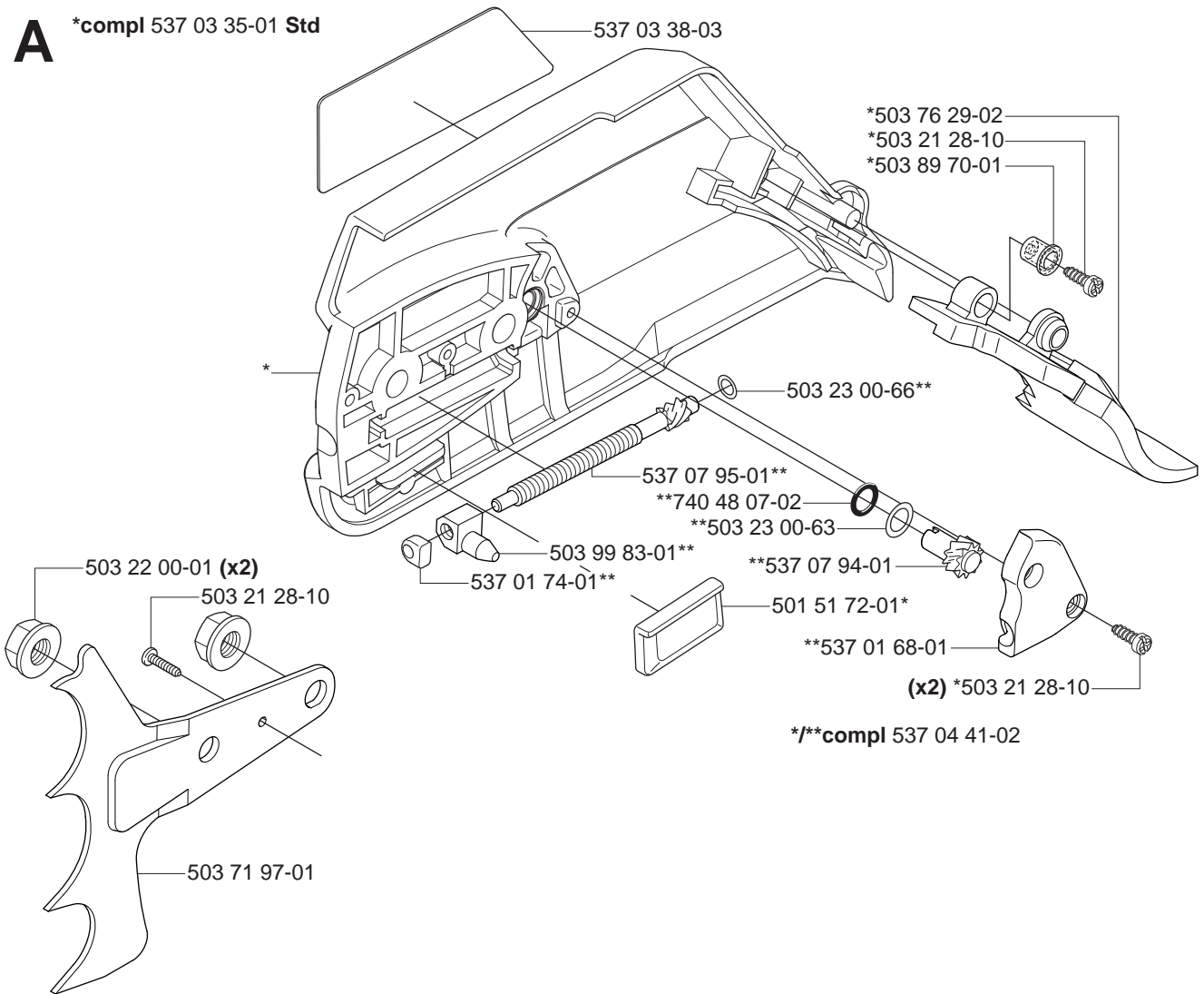
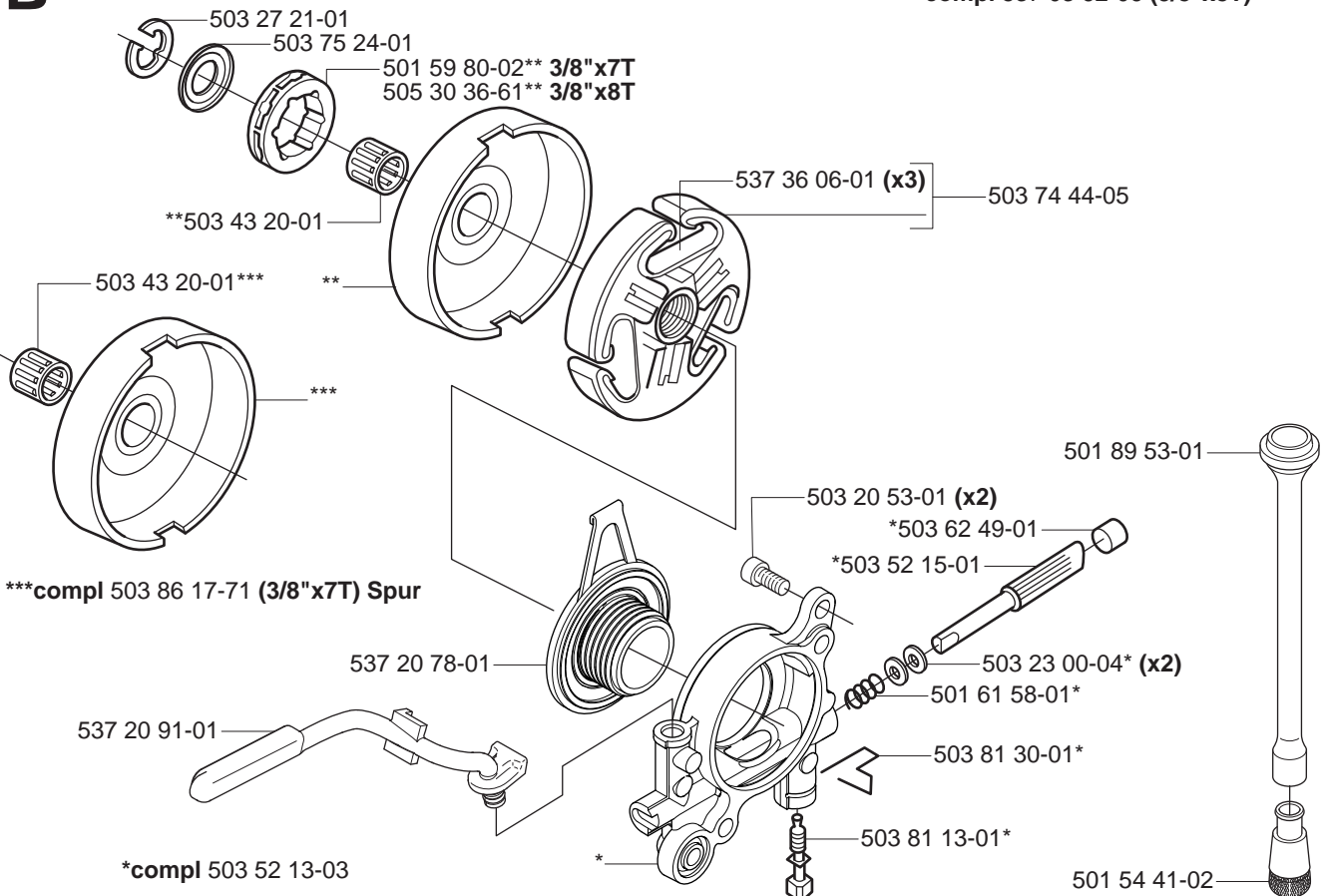
Repuestos

Reservdelar

A

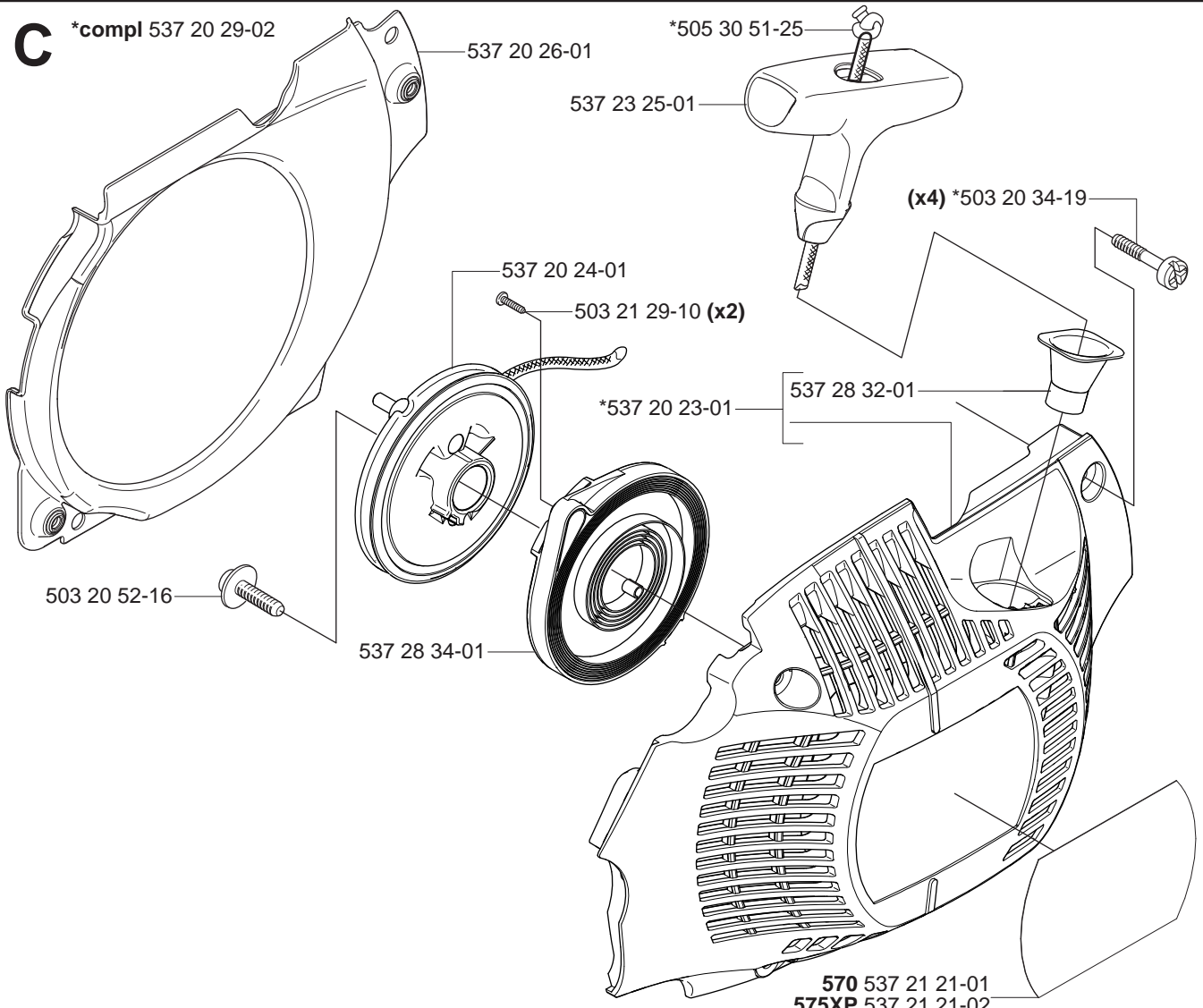
*compl 537 33 10-01 WA



A***compl 537 03 35-01 Std****B******compl 537 03 62-05 (3/8"x7T)******compl 537 03 62-06 (3/8"x8T)**

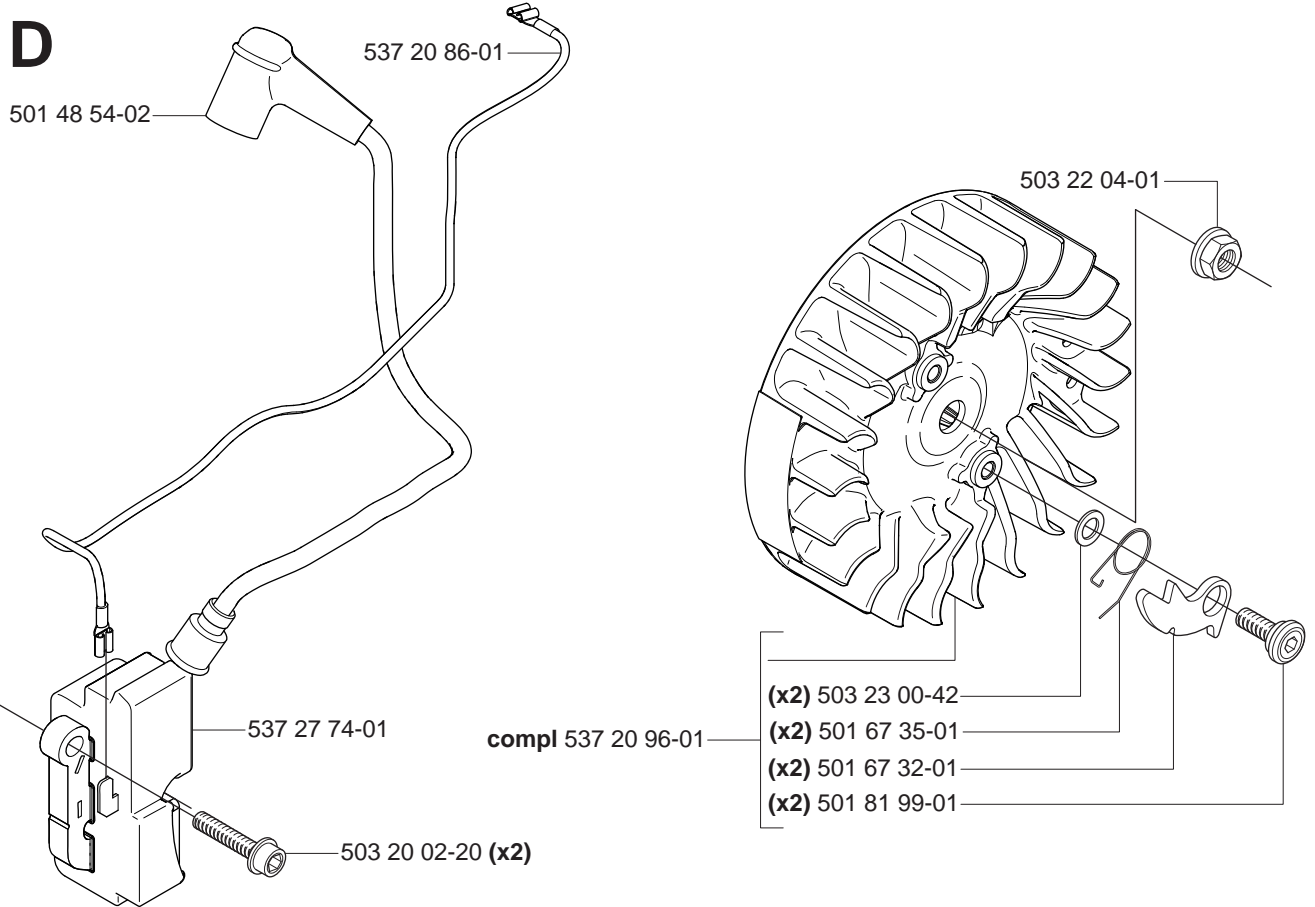
C

*compl 537 20 29-02



570 537 21 21-01
 575XP 537 21 21-02
 575XPG 537 21 21-03

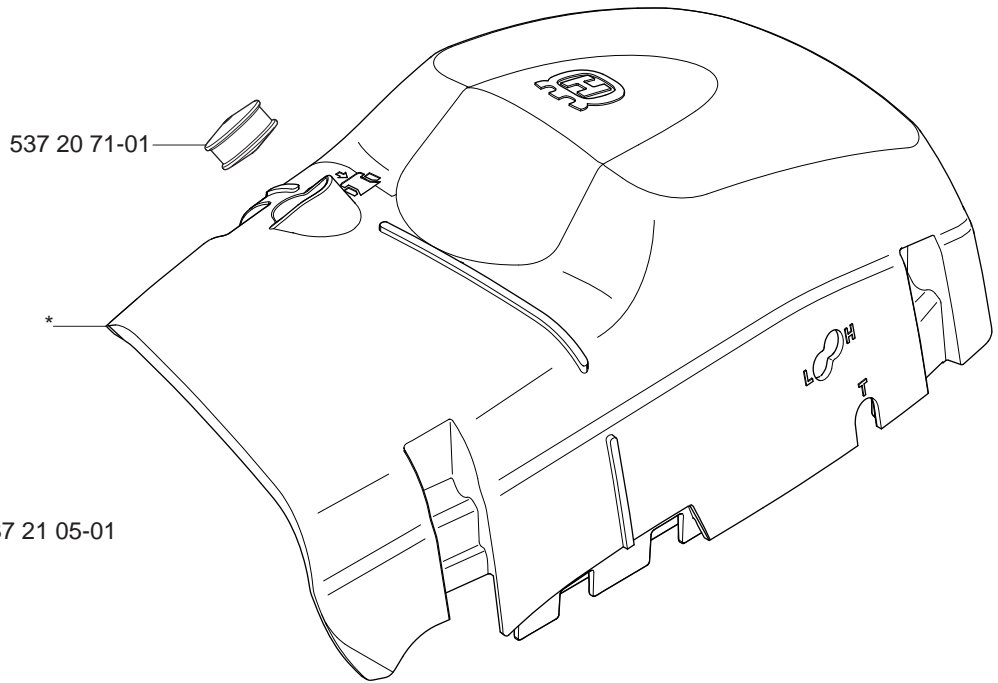
D



E *compl 537 21 25-01



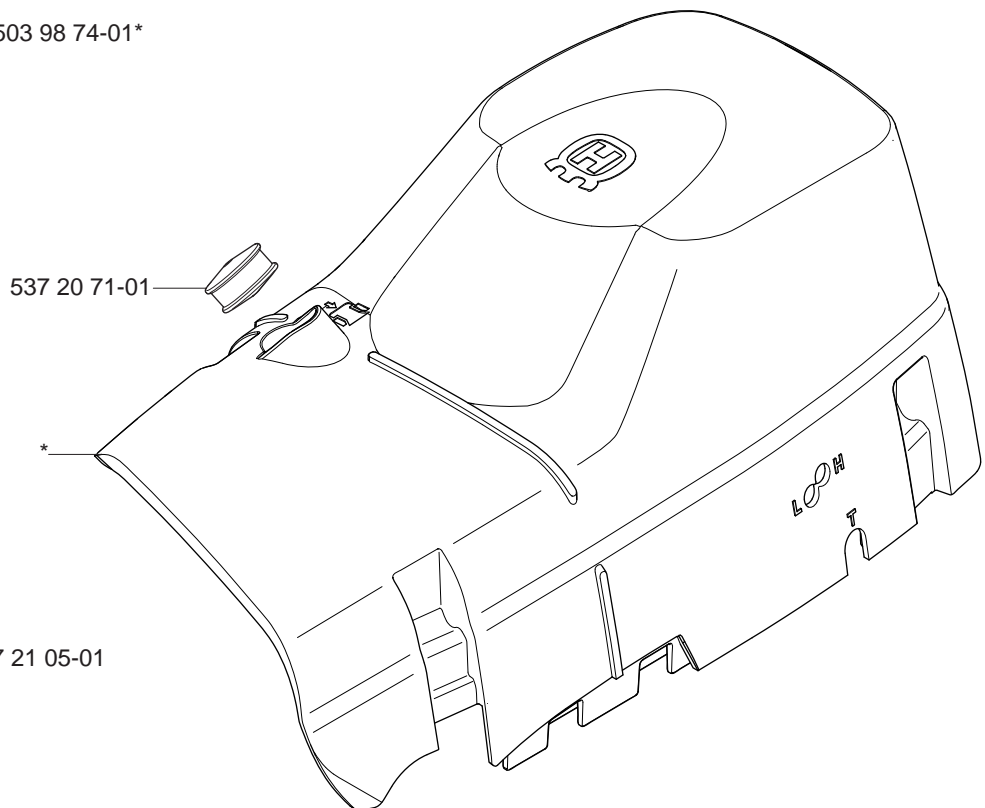
503 98 74-01*



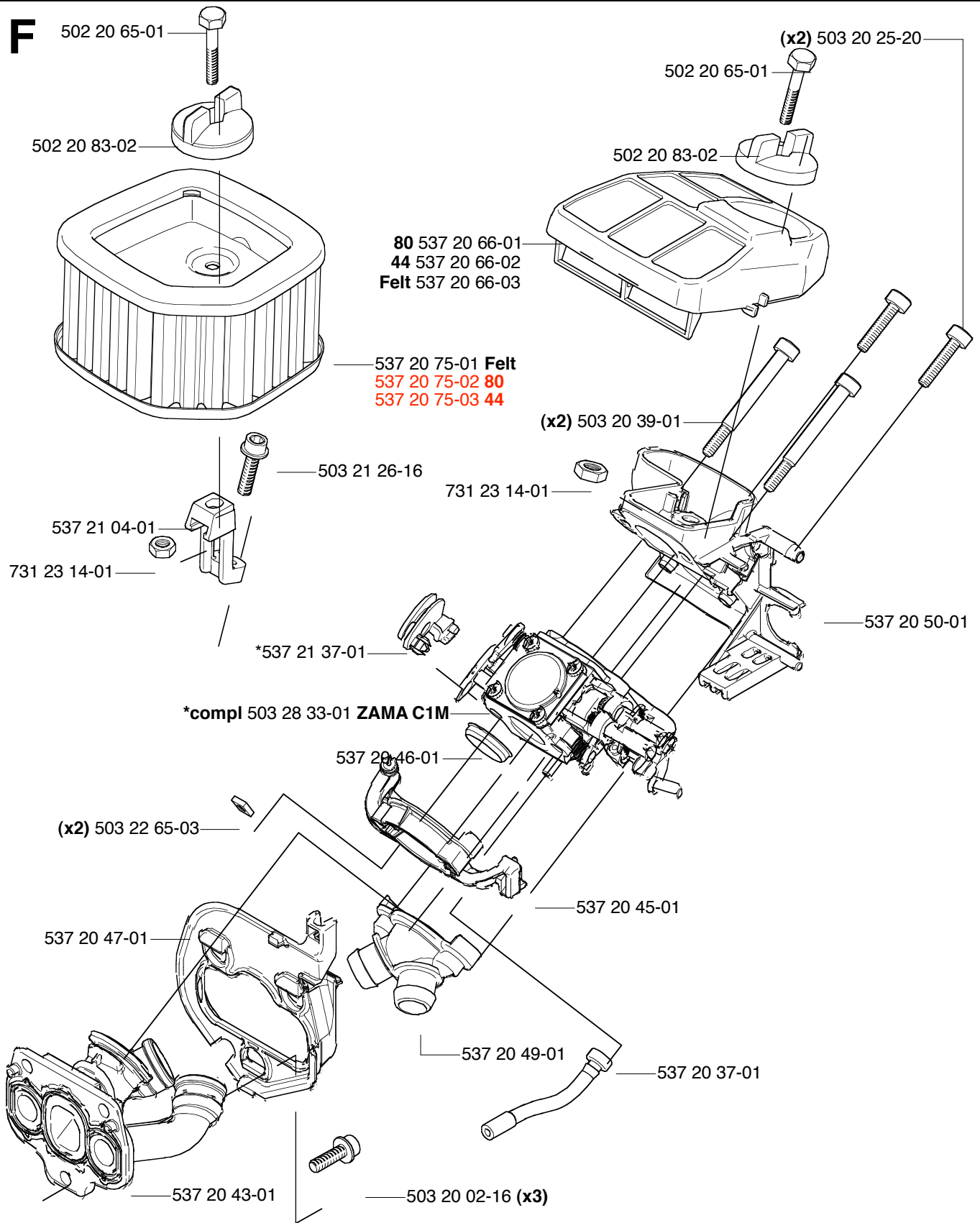
E *compl 537 21 25-02

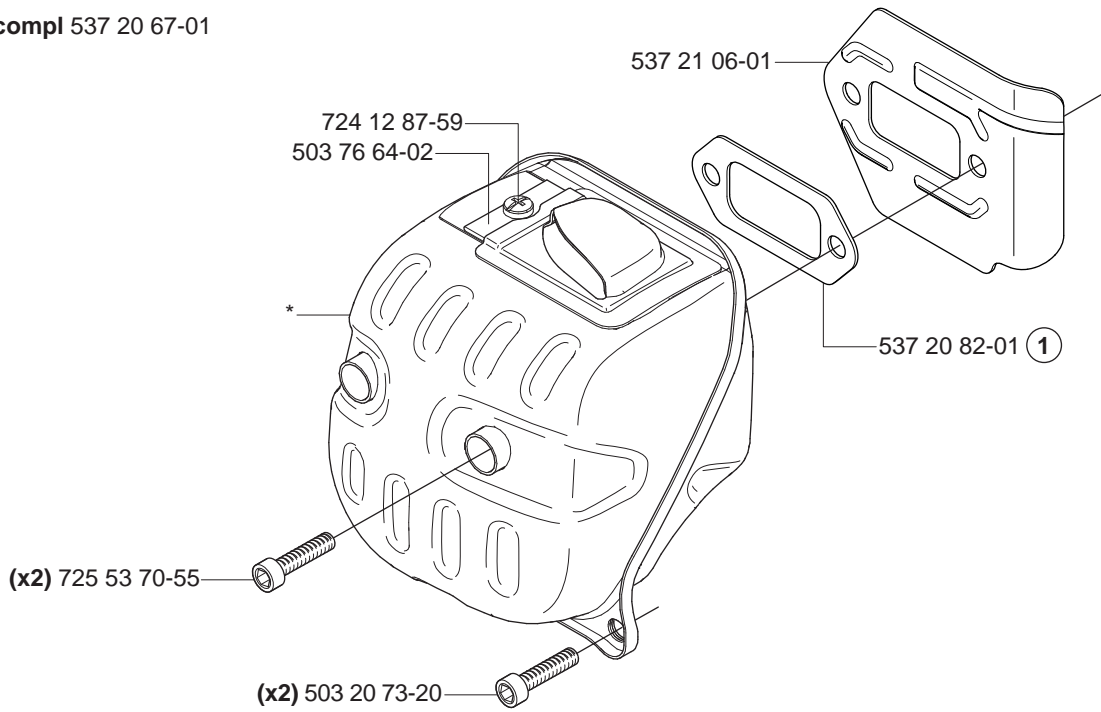
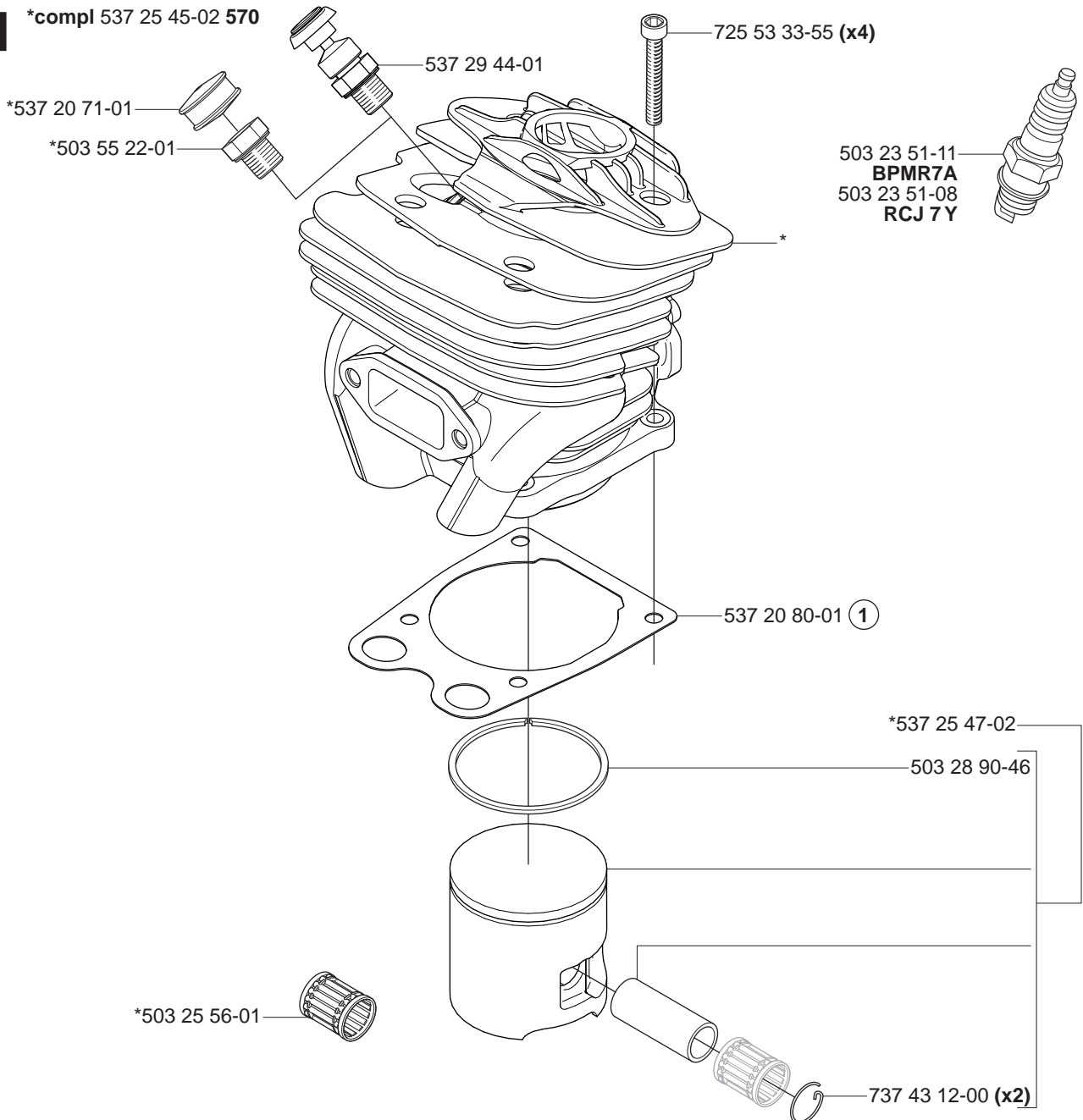


503 98 74-01*



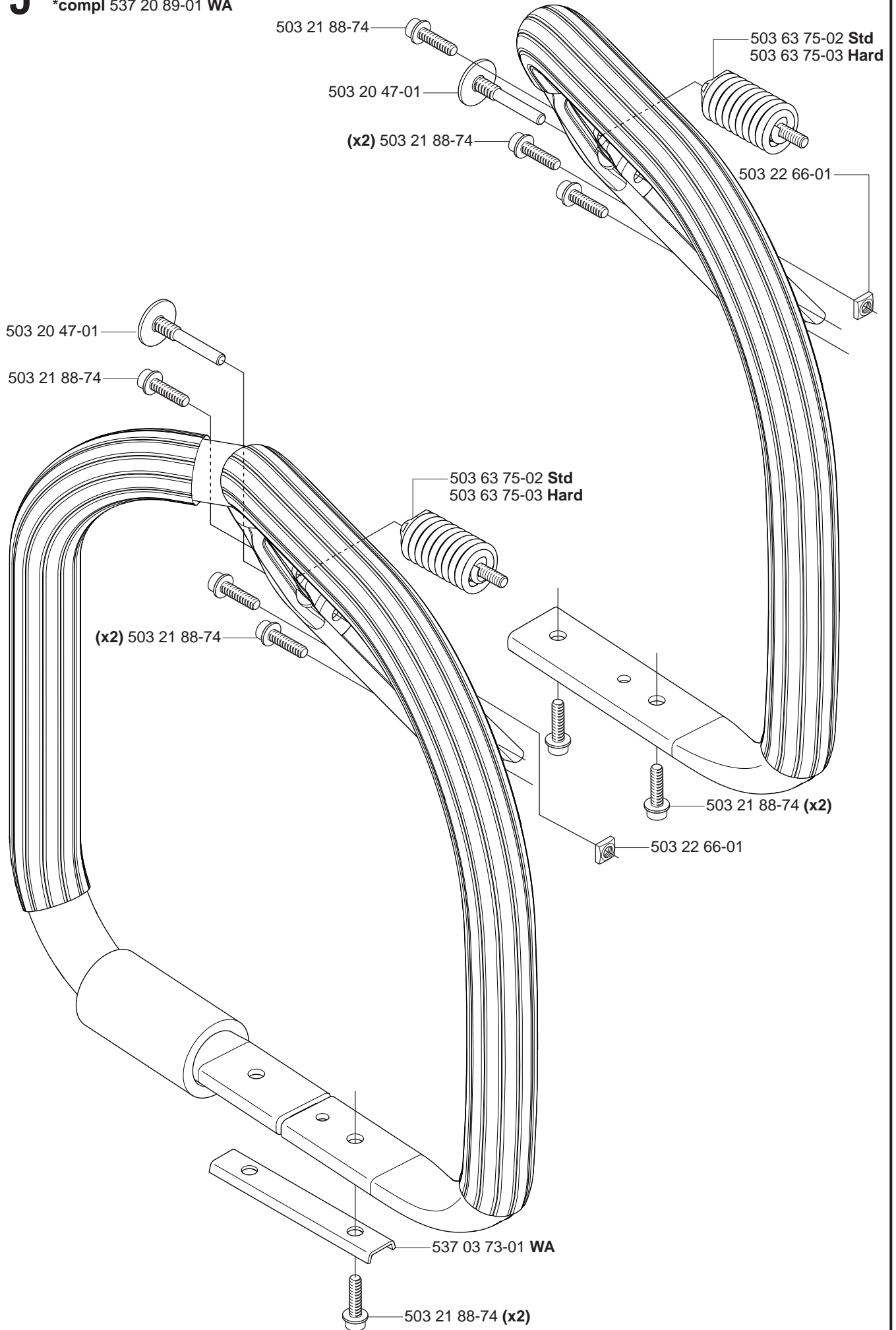
F

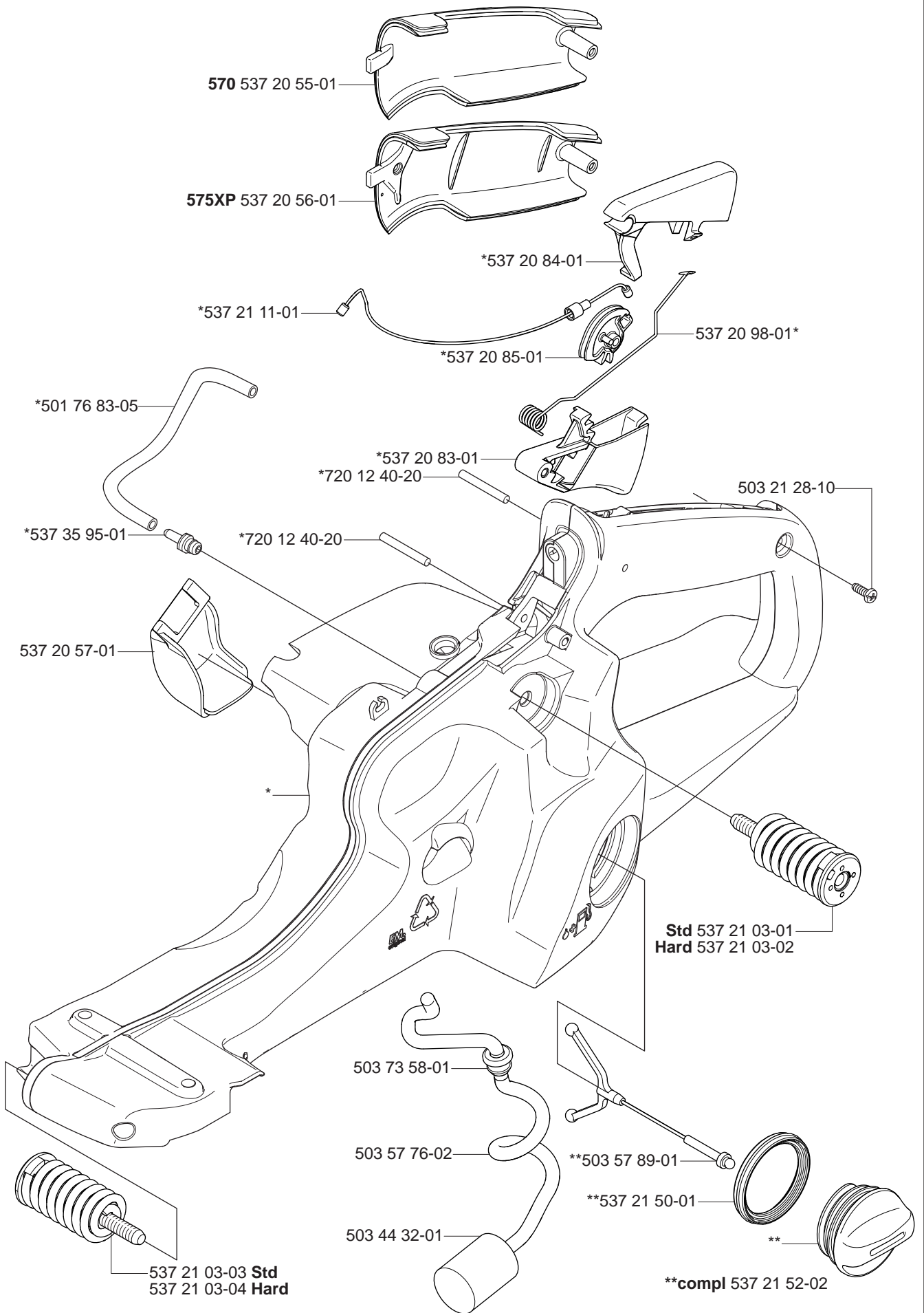


G***compl 537 20 67-01****H*****compl 537 25 45-02 570**

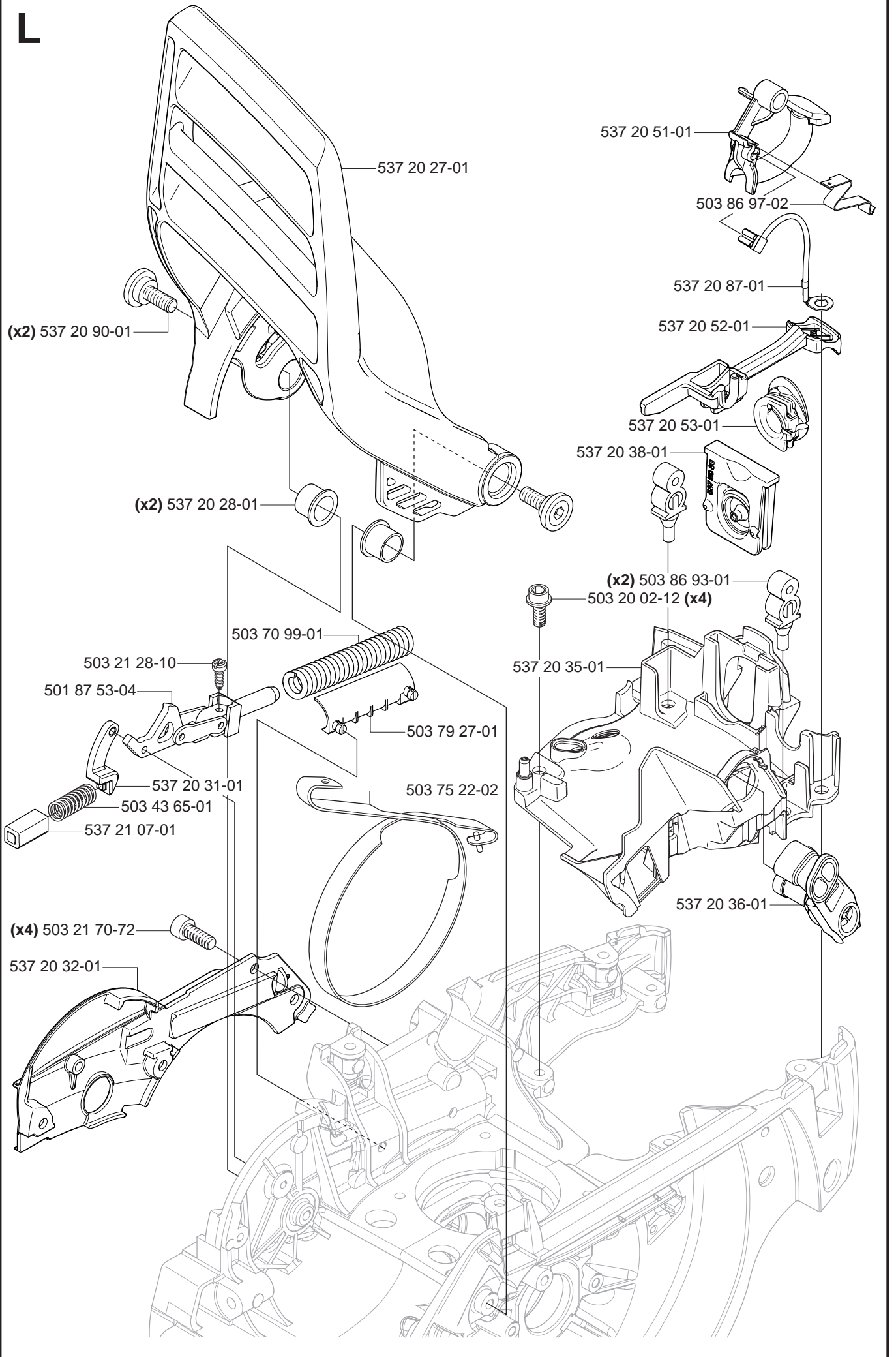
J

*compl 537 20 59-01
*compl 537 20 89-01 WA

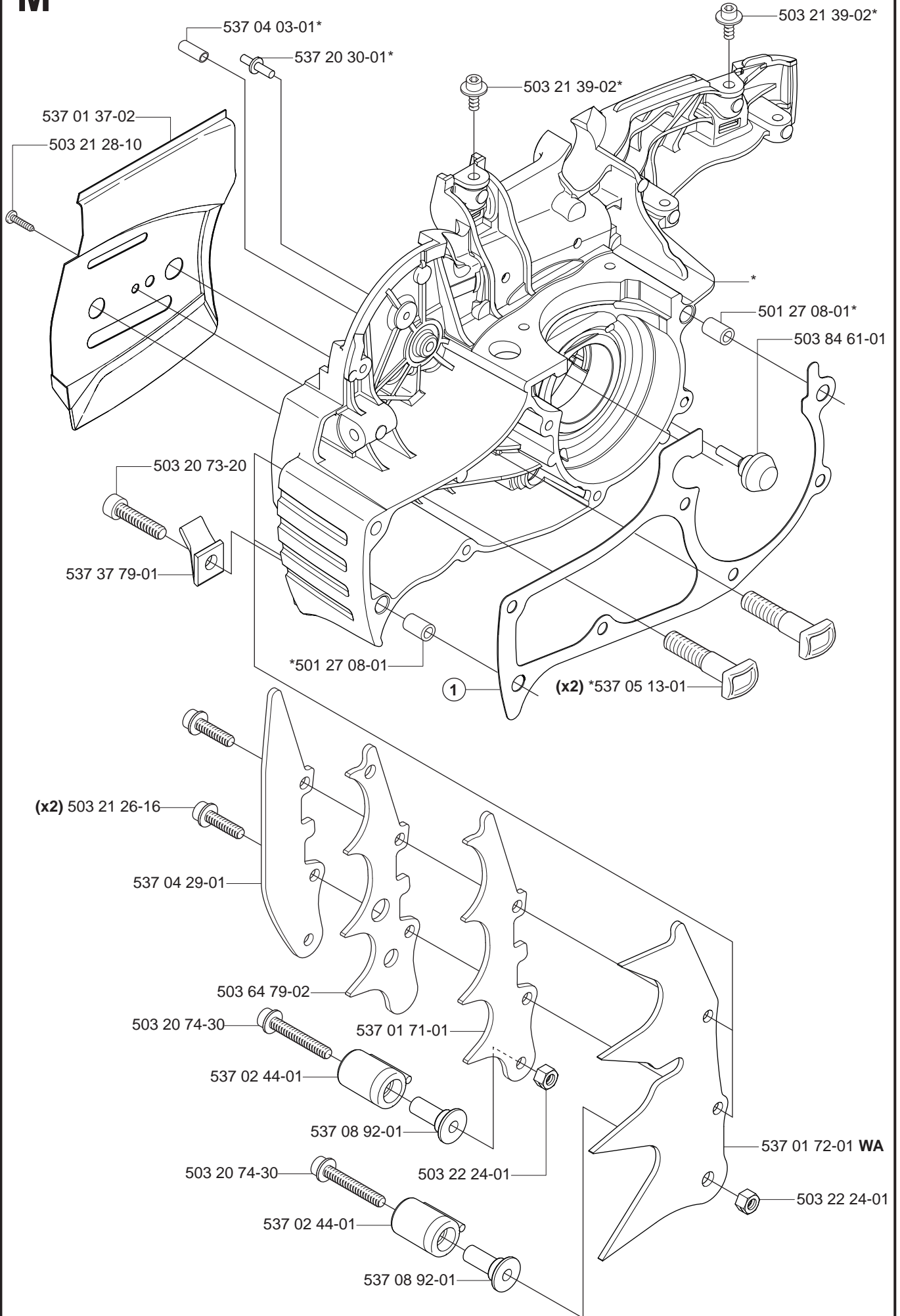


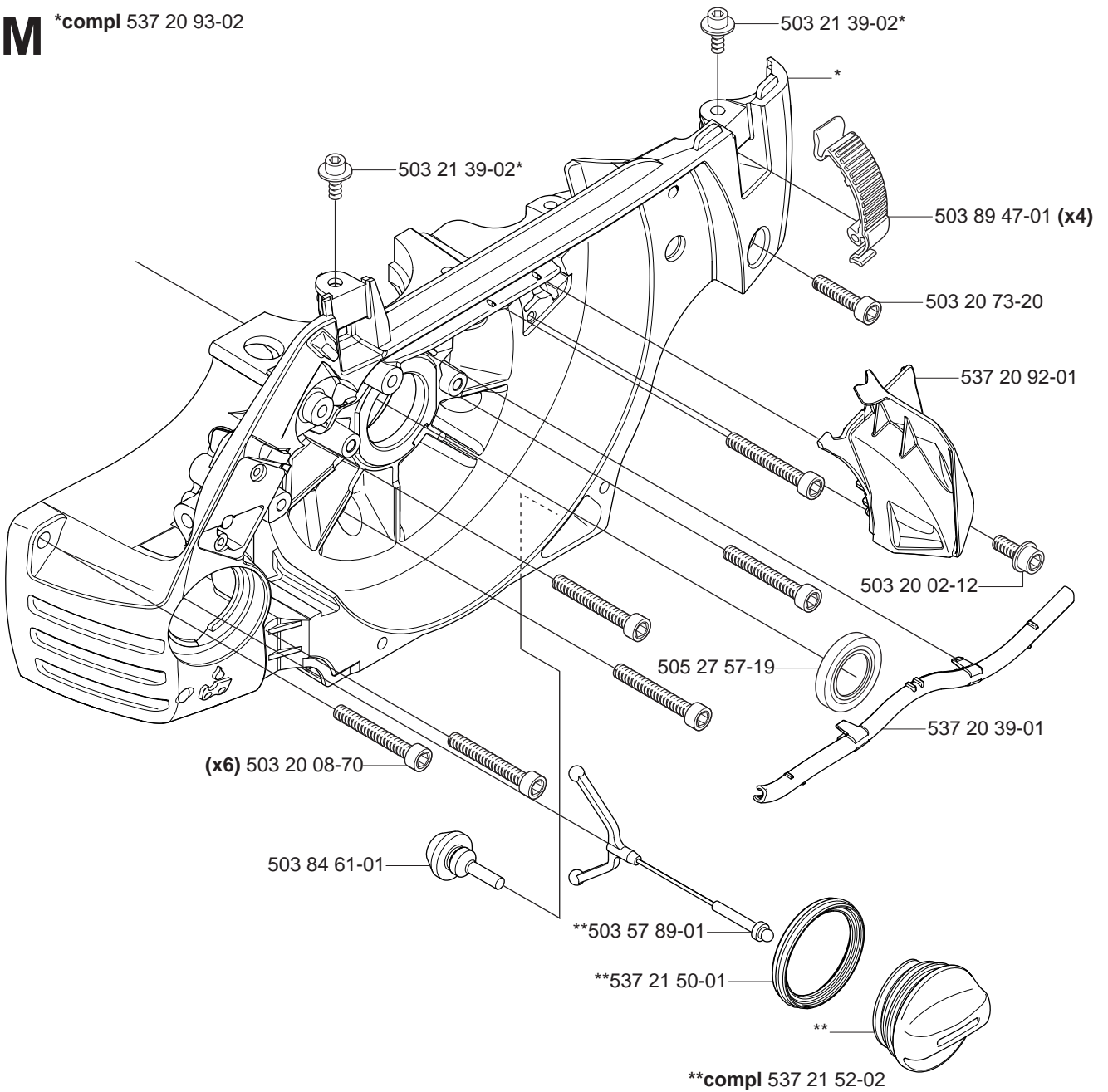
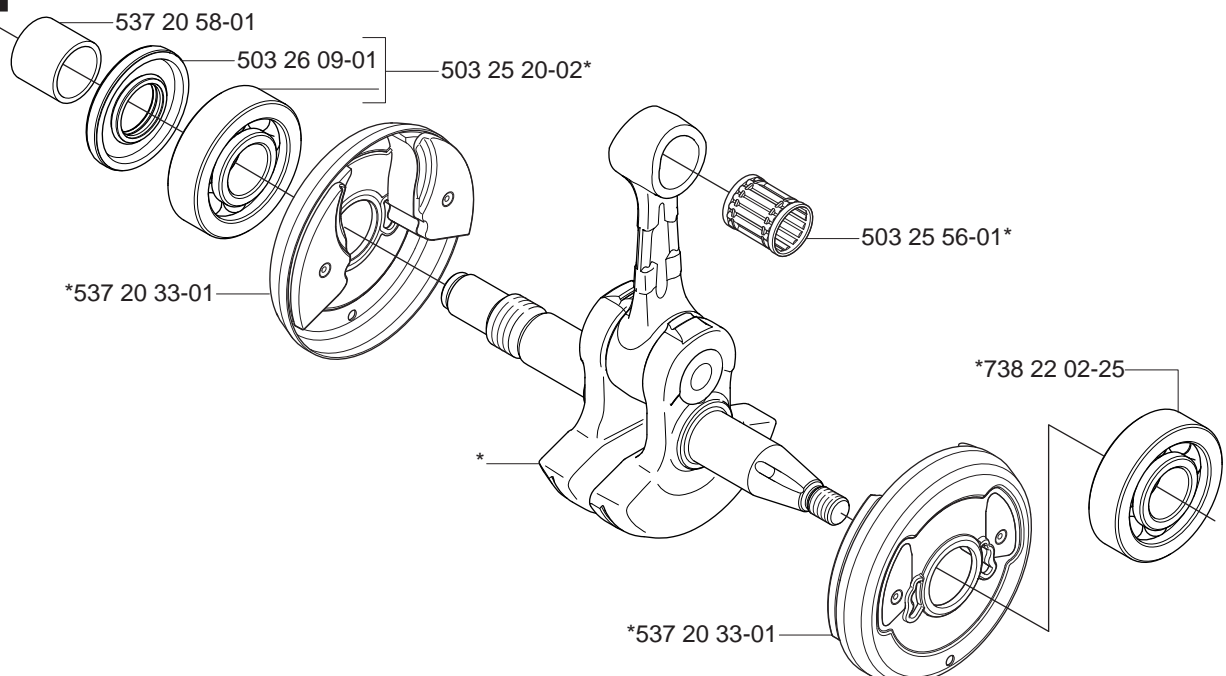


L



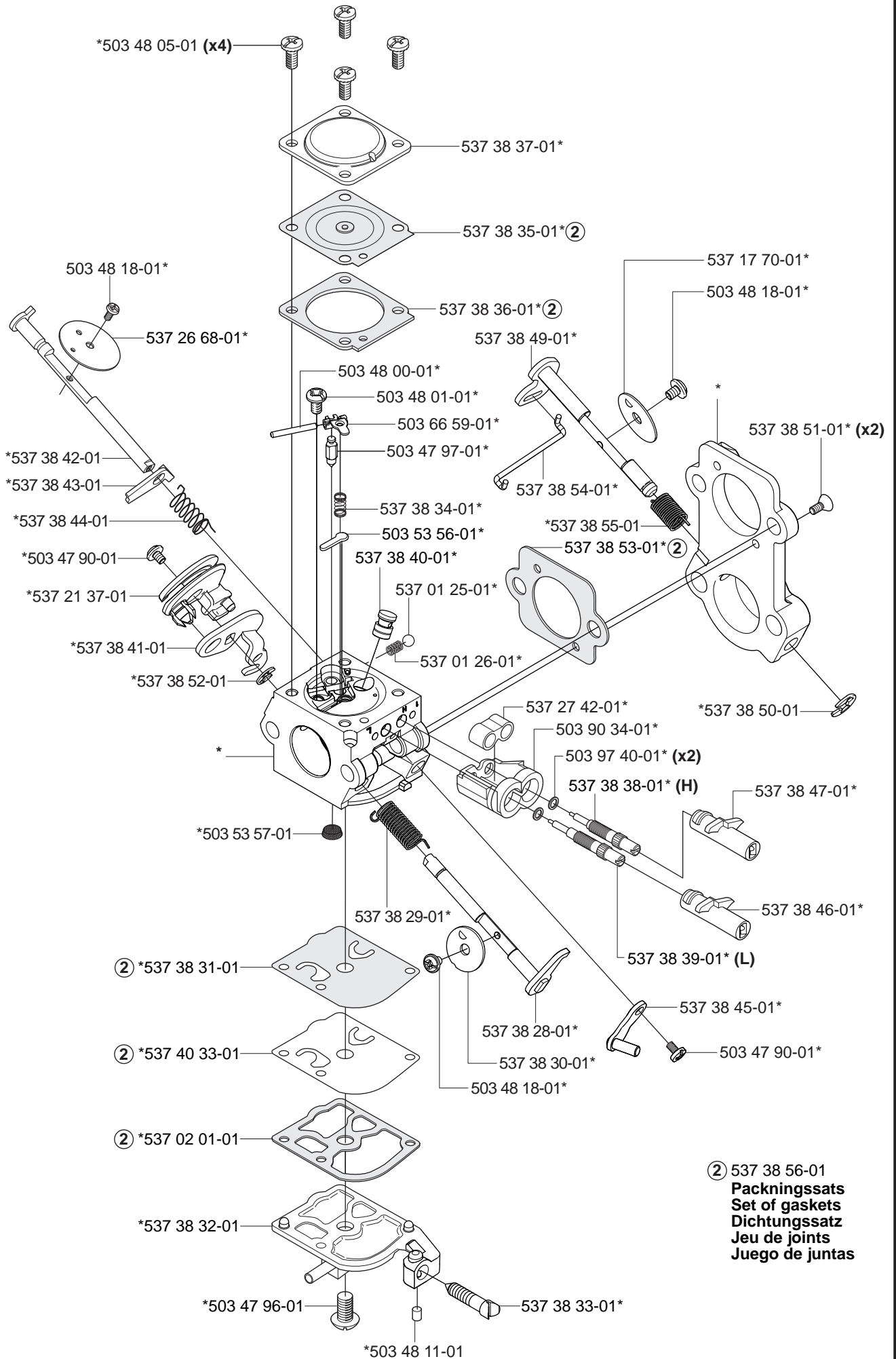
M *compl 537 20 93-02



M***compl 537 20 93-02****N*****compl 537 30 61-02**

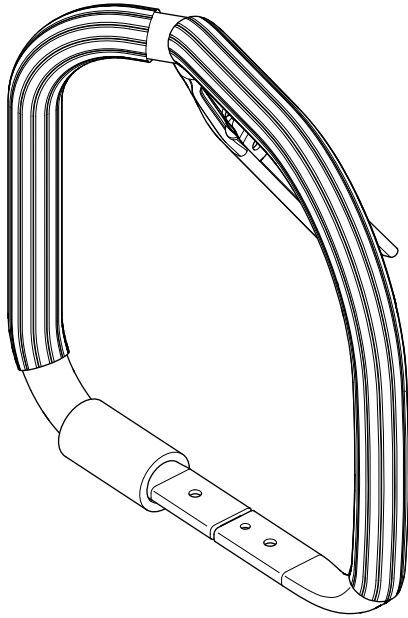
P

*compl 503 28 33-01 ZAMA C1M-EL28

ZAMA C1M-EL28

(2) 537 38 56-01
Packningssats
Set of gaskets
Dichtungssatz
Jeu de joints
Juego de juntas

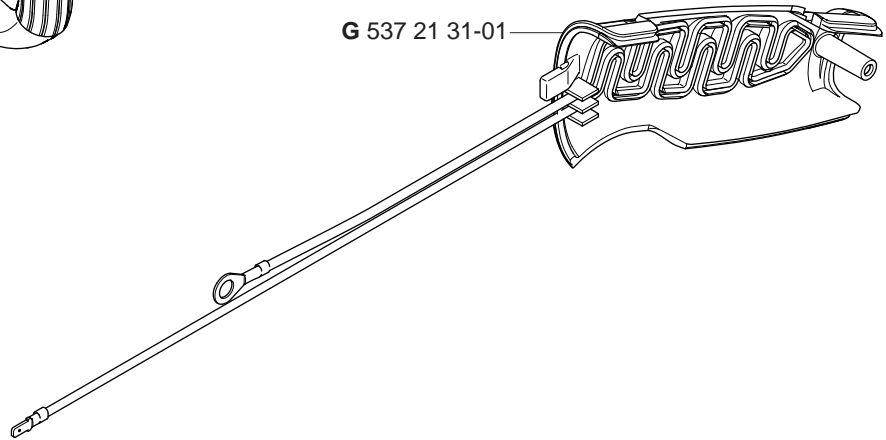
Q



compl 537 20 89-02 WA G



compl 537 20 59-02 G

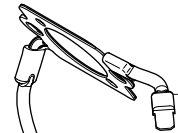
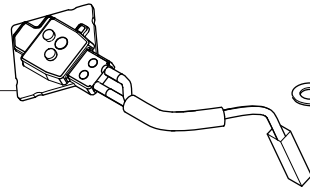


G 537 21 31-01



537 21 08-01

537 21 29-01

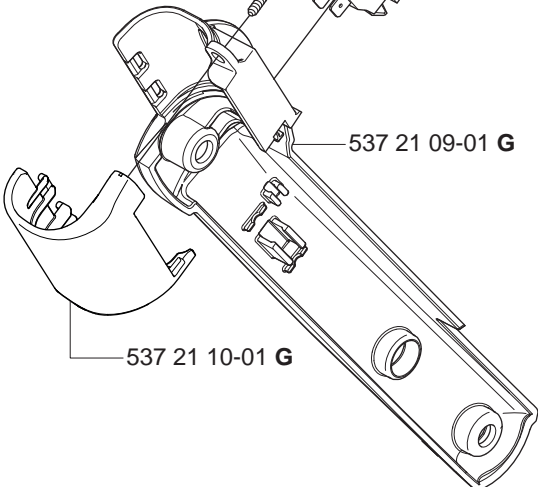


537 21 28-01

G 503 21 28-10

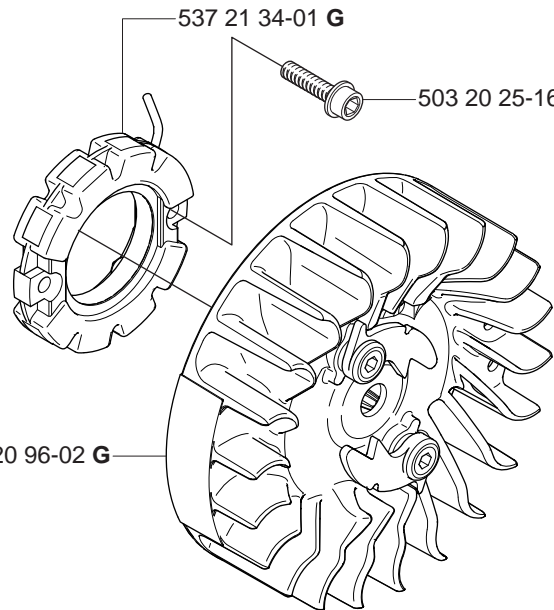


537 13 14-02 G



537 21 09-01 G

537 21 10-01 G

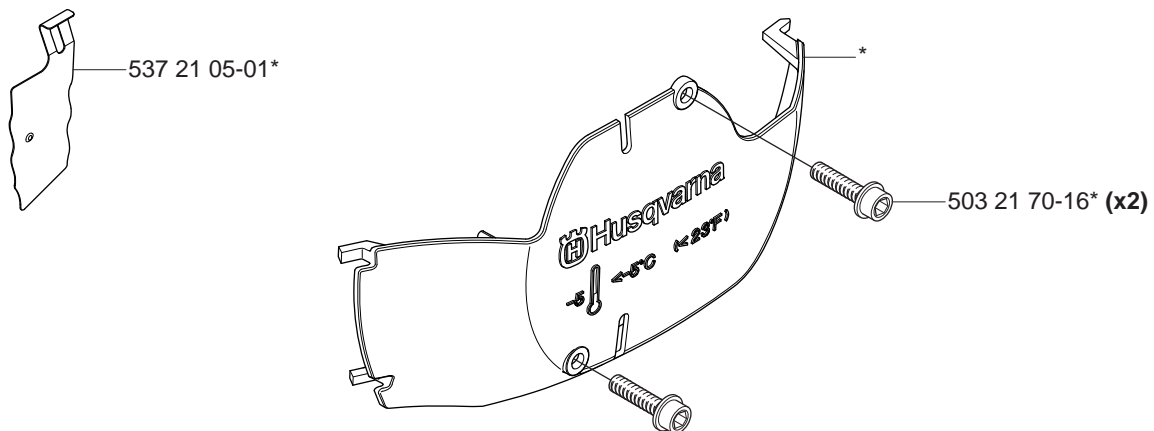


537 21 34-01 G

503 20 25-16 G (x2)

***compl 537 20 96-02 G**

R WINTER KIT
*compl 537 21 24-01



S Tillbehör
Accessories
Zubehöre
Accessoires
Accesorios
*compl 503 55 85-01

